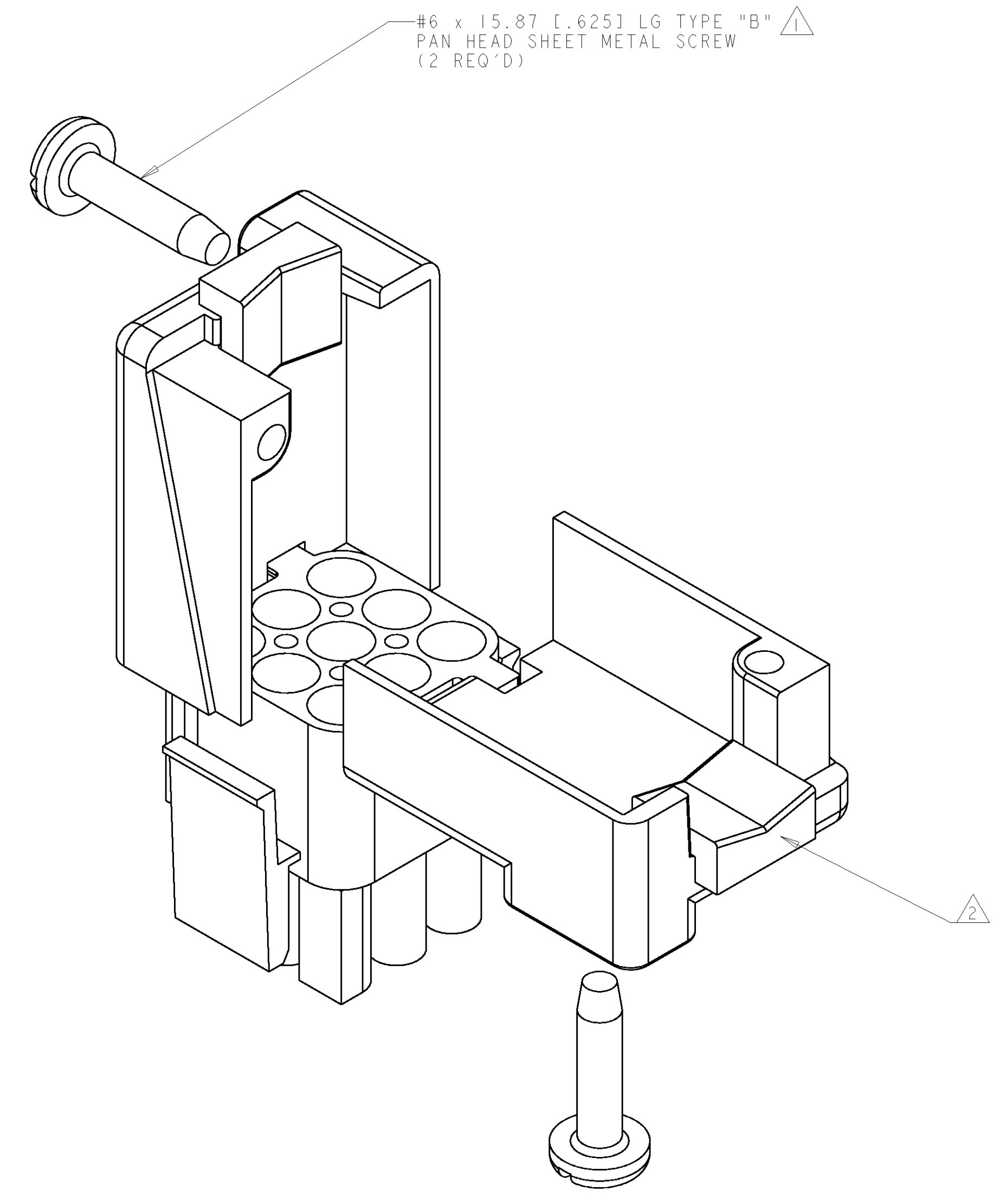
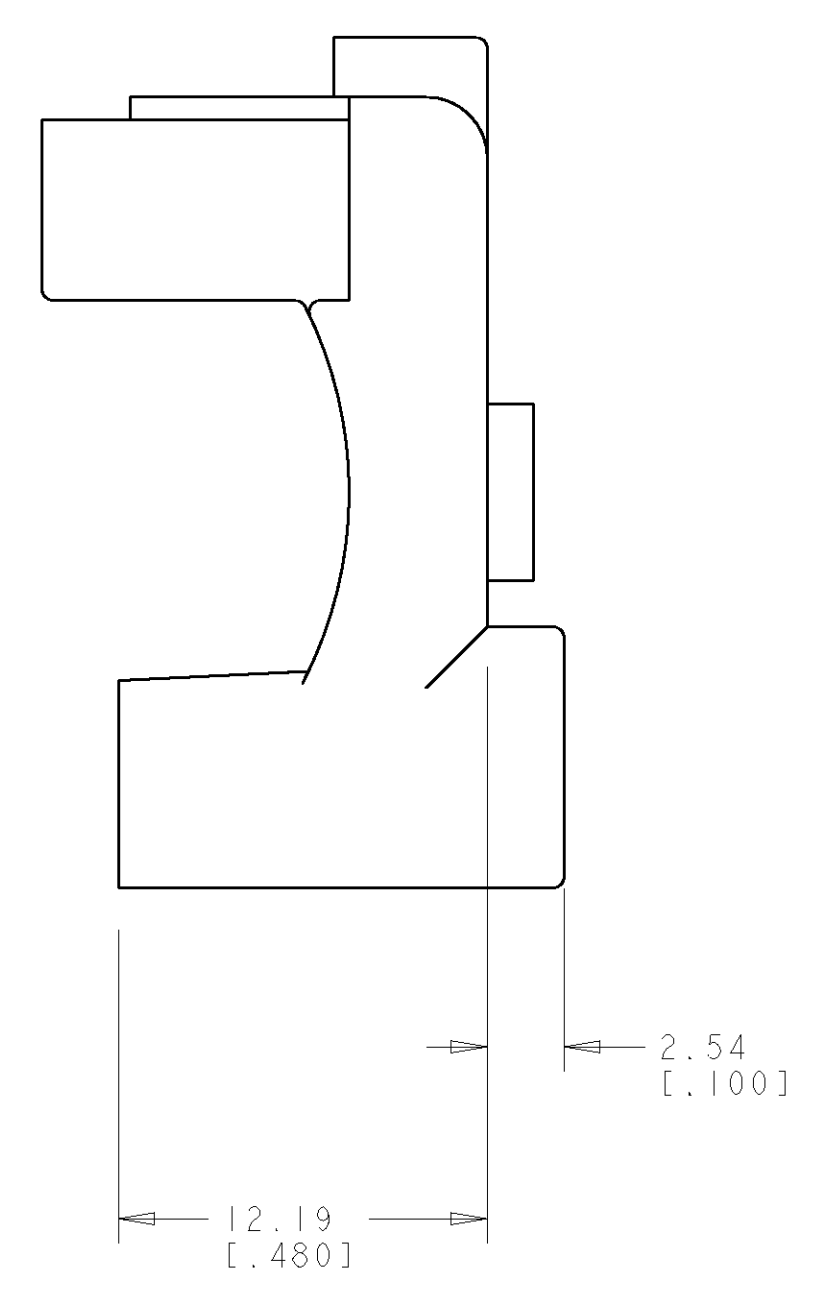
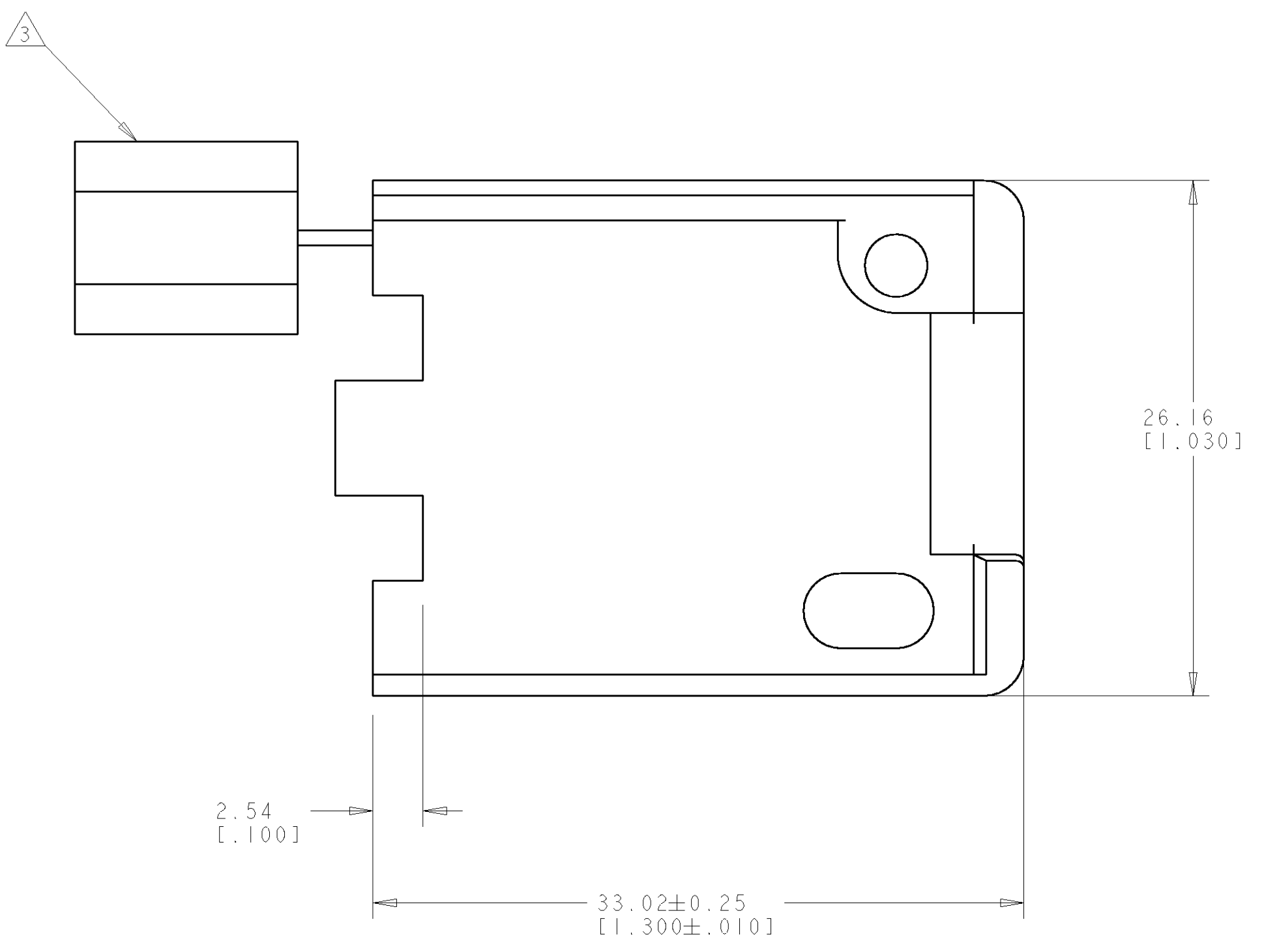
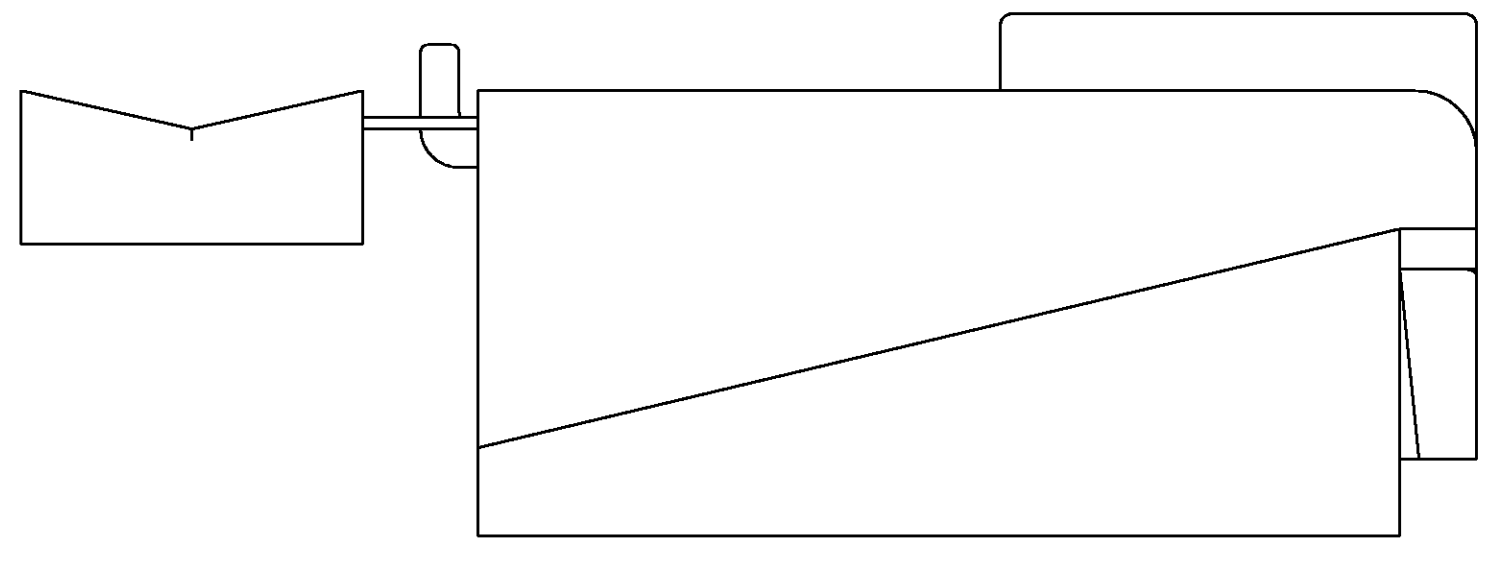


LOC		DIST		REVISIONS			
CM	00	P	LTR	DESCRIPTION	DATE	DWN	APVD
		C		REVISED PER 0638-0679-03	02APR04	KW	SR

- ⚠ SHEET METAL SCREWS NOT SUPPLIED.
 - ⚠ INSERT IS ATTACHED TO STRAIN RELIEF AS AN ADDITIONAL ADJUSTMENT FOR SMALL WIRE BUNDLES. IT SHOULD BE CUT OFF AND POSITIONED AS SHOWN.
 - ⚠ TWO REQUIRED PER CONNECTOR.
4. DETACHABLE INSERT MAY SEPARATE FROM STRAIN RELIEF BODY DURING SHIPPING.



COLOR	MATERIAL	PART NUMBER
BLACK	NYLON UL94V-2	1-640722-9
NATURAL	NYLON UL94V-2	1-640722-0

DIMENSIONS: mm [INCHES]		TOLERANCES UNLESS OTHERWISE SPECIFIED: 0 PLC ± 1 PLC ±.13 [.005] 2 PLC ± 3 PLC ± 4 PLC ± ANGLES ±		DWN R. WHITAKER 02APR04 CHK S. RIDGILL 02APR04 APVD S. RIDGILL 02APR04		Tyco Electronics Harrisburg, PA 17105-3608	
MATERIAL SEE TABLE		FINISH -		PRODUCT SPEC -		NAME STRAIN-RELIEF AND INSERT, 9 CIRCUIT, UNIVERSAL MATE-N-LOK™	
CUSTOMER DRAWING		WEIGHT -		APPLICATION SPEC -		SIZE A 00779 C-640722	
SCALE 4:1		SHEET 1 OF 1		REV C		RESTRICTED TO	

